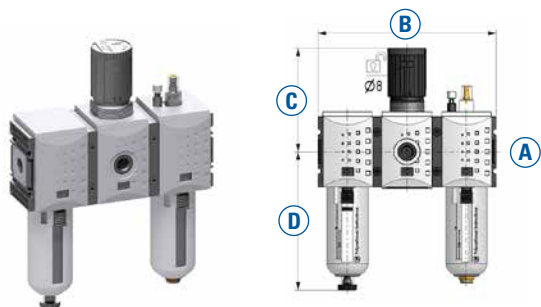


Futura series

The Futura series: the future is built in!

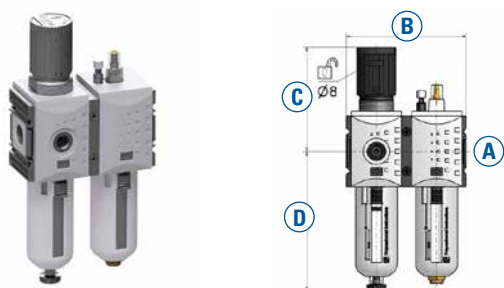
Innovative, compact and highly efficient, the Futura series is an absolute technical highlight. The modular structure of the patented system and the innovative material concept (of high performance polymer filled with glass fibre; sturdier, lighter, firmer and more economical than metal) offer absolute flexibility with guaranteed functional reliability.

SERVICE 3 UNI WITH GAUGE



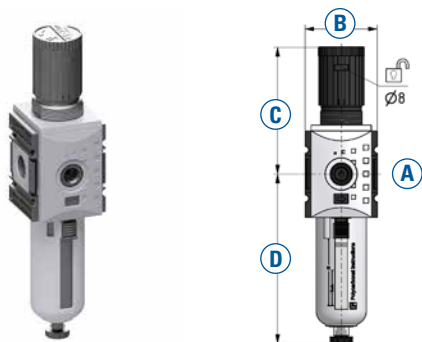
Size	Type	Connection		Dimensions in mm			Flow rate ¹⁾ l/min
		A		B	C	D	
0	KS3U-014	G 1/4		129	63	105	400
1	KS3U-114	G 1/4		156	96	130	1500
1	KS3U-138	G 3/8		156	96	130	1500
2	KS3U-238	G 3/8		189	110	147	3500
2	KS3U-212	G 1/2		189	110	147	3500
4	KS3U-434	G 3/4		255	137	189	12000
4	KS3U-41	G 1		255	137	189	12000

SERVICE 2 UNI WITH GAUGE



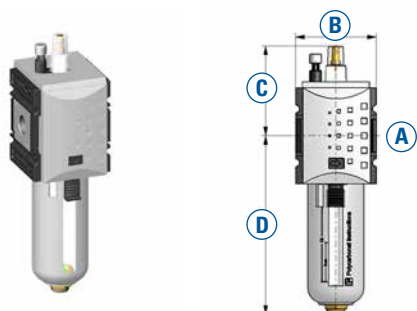
0	KS2U-014	G 1/4		86	63	105	600
1	KS2U-114	G 1/4		104	96	130	1800
1	KS2U-138	G 3/8		104	96	130	1800
2	KS2U-238	G 3/8		126	110	147	3500
2	KS2U-212	G 1/2		126	110	147	3500
4	KS2U-434	G 3/4		170	137	189	12000
4	KS2U-41	G 1		170	137	189	12000

FILTER REGULATOR WITH GAUGE



0	KFRG-014	G 1/4		43	63	105	1000
1	KFRG-114	G 1/4		52	96	130	2200
1	KFRG-138	G 3/8		52	96	130	2600
2	KFRG-238	G 3/8		63	110	147	4300
2	KFRG-212	G 1/2		63	110	147	5200
4	KFRG-434	G 3/4		85	137	189	14000
4	KFRG-41	G 1		85	137	189	14000

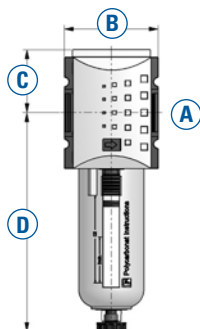
LUBRICATOR



0	KLUB-014	G 1/4		43	58	98	1400
1	KLUB-114	G 1/4		52	64	122	2800
1	KLUB-138	G 3/8		52	64	122	2800
2	KLUB-238	G 3/8		63	70	140	8000
2	KLUB-212	G 1/2		63	70	140	8000
4	KLUB-434	G 3/4		85	88	183	16000
4	KLUB-41	G 1		85	88	183	16000

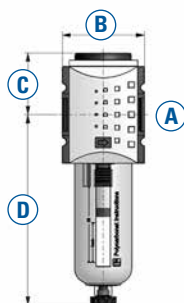
¹⁾ p₁ = 10 bar; p₂ = 6,3 bar and pressure drop Δp=1bar

FILTER 5 µm



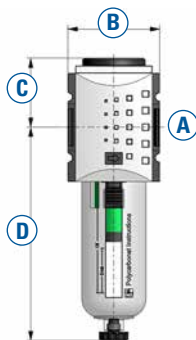
Size	Type	Connection		Dimensions in mm			Flow rate ¹⁾ l/min
		A		B	C	D	
0	KFIL-014	G 1/4		43	27	105	1000 ¹⁾
1	KFIL-114	G 1/4		52	34	130	2000 ¹⁾
1	KFIL-138	G 3/8		52	34	130	2000 ¹⁾
2	KFIL-238	G 3/8		63	43	147	3500 ¹⁾
2	KFIL-212	G 1/2		63	43	147	3500 ¹⁾
4	KFIL-434	G 3/4		85	58	189	9000 ¹⁾
4	KFIL-41	G 1		85	58	189	9000 ¹⁾

PREFILTER 0,3 µm



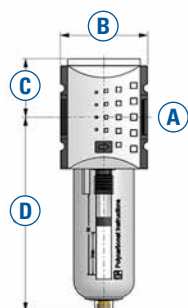
0	KPFI-014	G 1/4		43	27	105	350 ²⁾
1	KPFI-114	G 1/4		52	39	130	500 ²⁾
1	KPFI-138	G 3/8		52	39	130	500 ²⁾
2	KPFI-238	G 3/8		63	48	147	750 ²⁾
2	KPFI-212	G 1/2		63	48	147	750 ²⁾
4	KPFI-434	G 3/4		85	63	189	2000 ²⁾
4	KPFI-41	G 1		85	63	189	2000 ²⁾

FINEFILTER 0,01 µm
REMAINING OIL CONTENT < 0,01 mg/m³



0	KCFI-014	G 1/4		43	27	105	350 ³⁾
1	KCFI-114	G 1/4		52	39	130	350 ³⁾
1	KCFI-138	G 3/8		52	39	130	350 ³⁾
2	KCFI-238	G 3/8		63	48	147	450 ³⁾
2	KCFI-212	G 1/2		63	48	147	450 ³⁾
4	KCFI-434	G 3/4		85	63	189	1500 ³⁾
4	KCFI-41	G 1		85	63	189	1500 ³⁾

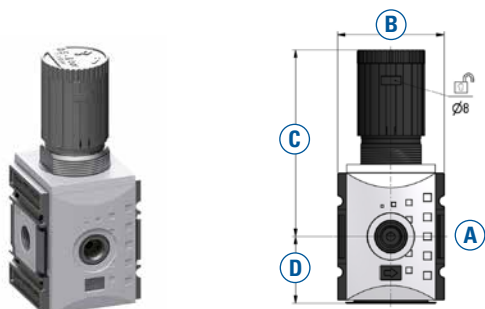
ACTIVATED-CARBON FILTER 1)



0	KAFI-014	G 1/4		43	27	98	500 ⁴⁾
1	KAFI-114	G 1/4		52	34	123	500 ⁴⁾
1	KAFI-138	G 3/8		52	34	123	500 ⁴⁾
2	KAFI-238	G 3/8		63	43	141	1600 ⁴⁾
2	KAFI-212	G 1/2		63	43	141	1600 ⁴⁾
4	KAFI-434	G 3/4		85	58	184	3000 ⁴⁾
4	KAFI-41	G 1		85	58	184	3000 ⁴⁾

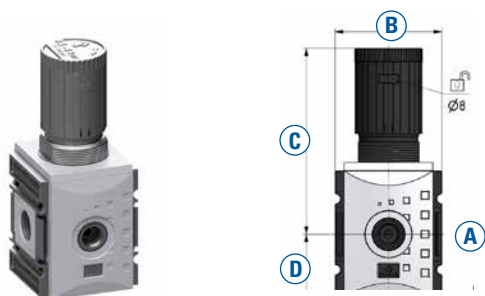
¹⁾ p₁ = 6 bar and pressure drop Δ p = 1 bar ²⁾ KPFI at p₁ = 6 bar and pressure drop Δ p = 0,02 bar ³⁾ KCFI bei p₁ = 6 bar and pressure drop Δ p = 0,1 bar ⁴⁾ KAFI bei p₁ = 6 bar and pressure drop Δ p = 0,2 bar

PRESSURE REGULATOR WITH GAUGE



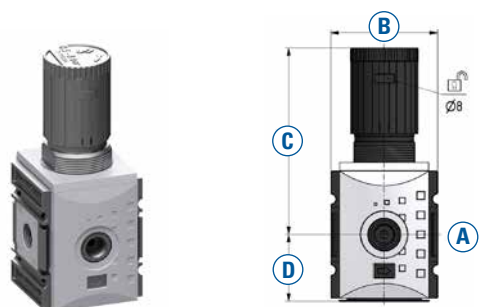
Size	Type	Connection		Dimensions in mm			Flow rate ¹⁾ l/min
		A		B	C	D	
0	KREG-014	G 1/4		43	63	25	1000
1	KREG-114	G 1/4		52	96	33	2200
1	KREG-138	G 3/8		52	96	33	2600
2	KREG-238	G 3/8		63	110	40	43500
2	KREG-212	G 1/2		63	110	40	5100
4	KREG-434	G 3/4		85	137	54	14000
4	KREG-41	G 1		85	137	54	14000

PRESSURE REGULATOR WITH CONTINUOUS PRESSURE SUPPLY



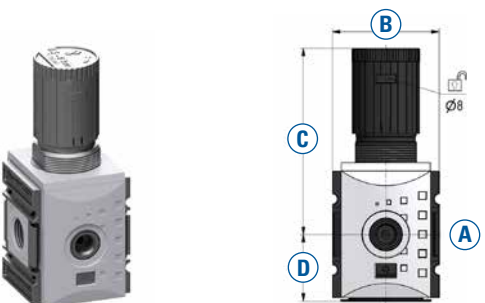
0	KRBE-014	G 1/4		43	68	25	1000
1	KRBE-114	G 1/4		52	96	33	2200
1	KRBE-138	G 3/8		52	96	33	2600
2	KRBE-238	G 3/8		63	110	40	4300
2	KRBE-212	G 1/2		63	110	40	5000

PRECISION PRESSURE REGULATOR



1	KPRG-114	G 1/4		52	96	33	2200
1	KPRG-138	G 3/8		52	96	33	2700
2	KPRG-238	G 3/8		63	110	40	4300
2	KPRG-212	G 1/2		63	110	40	5000

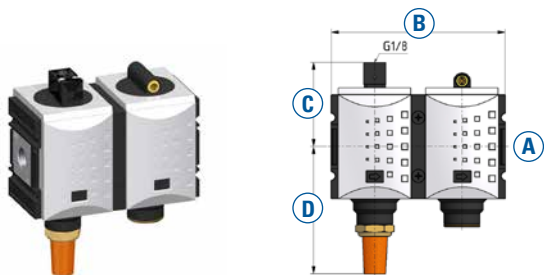
PRECISION PRESSURE REGULATOR WITH CONTINUOUS PRESSURE SUPPLY



1	KPRB-114	G 1/4		52	96	33	2200
1	KPRB-138	G 3/8		52	96	33	2700
2	KPRB-238	G 3/8		63	110	40	4300
2	KPRB-212	G 1/2		63	110	40	5000

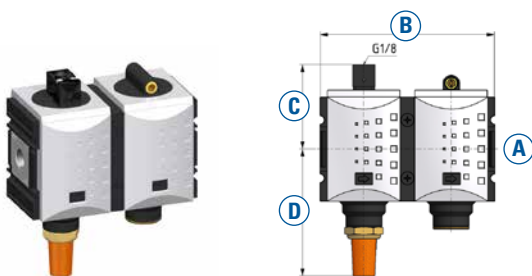
¹⁾ p₁ = 10 bar; p₂ = 6,3 bar and pressure drop Δp=1bar

FILLING UNIT ELECTRIC CONTROL



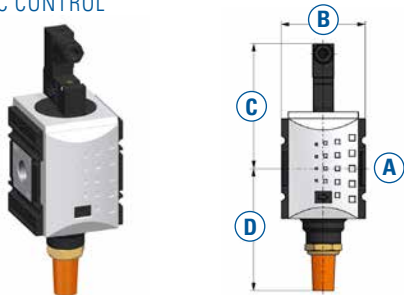
Size	Type	Connection		Dimensions in mm			Flow rate ¹⁾ l/min
		A		B	C	D	
0	K2SA-014	G 1/4		86	93	45	1300
1	K2SA-114	G 1/4		104	85	33	1300
1	K2SA-138	G 3/8		104	85	33	1400
2	K2SA-238	G 3/8		126	94	92	3400
2	K2SA-212	G 1/2		126	94	92	3400
4	K2SA-434	G 3/4		170	111	102	8750
4	K2SA-41	G 1		170	111	102	8750

FILLING UNIT PNEUMATIC CONTROL



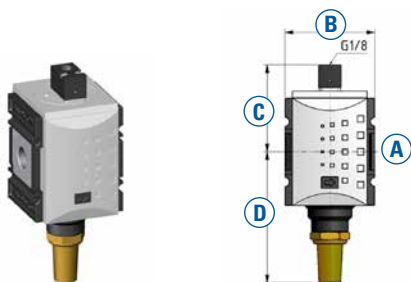
0	K2SA-014I	G 1/4		86	60	45	1300
1	K2SA-114I	G 1/4		104	52	33	1300
1	K2SA-138I	G 3/8		104	52	33	1300
2	K2SA-238I	G 3/8		126	61	92	3400
2	K2SA-212I	G 1/2		126	61	92	3400
4	K2SA-434I	G 3/4		170	78	102	8750
4	K2SA-41I	G 1		170	78	102	8750

3/2 DIRECTIONAL-CONTROL VALVE ELECTRIC CONTROL



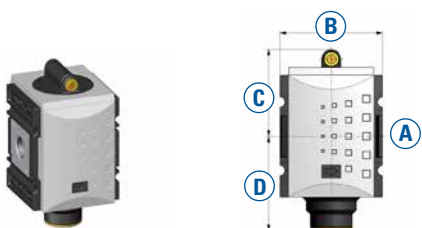
0	KSOV-014	G 1/4		43	93	45	2000
1	KSOV-114	G 1/4		52	85	33	2000
1	KSOV-138	G 3/8		52	85	33	2000
2	KSOV-238	G 3/8		63	94	92	4300
2	KSOV-212	G 1/2		63	94	92	4300
4	KSOV-434	G 3/4		85	111	102	12500
4	KSOV-41	G 1		85	111	102	12500

3/2-DIRECTIONAL-CONTROL VALVE PNEUMATIC CONTROL



0	KSOV-014I	G 1/4		43	60	45	2000
1	KSOV-114I	G 1/4		52	52	33	2000
1	KSOV-138I	G 3/8		52	52	33	2000
2	KSOV-238I	G 3/8		63	61	92	4300
2	KSOV-212I	G 1/2		63	61	92	4300
4	KSOV-434I	G 3/4		85	78	102	12500
4	KSOV-41I	G 1		85	78	102	12500

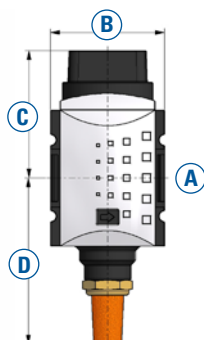
STARTING VALVE ADJUSTABLE FILLING



0	KSSV-014	G 1/4		43	53	28	1900
1	KSSV-114	G 1/4		52	45	33	1900
1	KSSV-138	G 3/8		52	45	33	1900
2	KSSV-238	G 3/8		63	54	58	4400
2	KSSV-212	G 1/2		63	54	58	4400
4	KSSV-434	G 3/4		85	58	54	10000
4	KSSV-41	G 1		85	58	54	10000

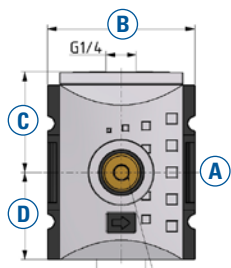
¹⁾ p_i = 6 bar and pressure drop Δp = 1 bar

BALL VALVE
LOCKABLE WITH PADLOCK



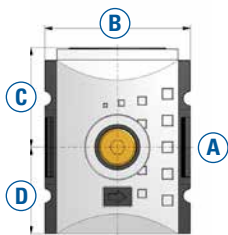
Size	Type	Connection		Dimensions in mm			Flow rate ¹⁾ l/min
		A		B	C	D	
0	KBAV-014	G 1/4		43	51	36	2300
1	KBAV-114	G 1/4		52	55	33	1900
1	KBAV-138	G 3/8		52	55	33	1900
2	KBAM-238	G 3/8		63	70	92	11000
2	KBAM-212	G 1/2		63	70	92	11000
4	KBAM-434	G 3/4		85	94	117	25000
4	KBAM-41	G 1		85	94	117	25000

T-DISTRIBUTOR²⁾



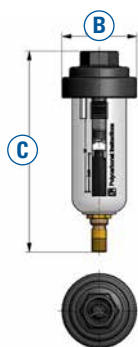
0	KDIS-014	G 1/4		43	29	28	2700
1	KDIS-114	G 1/4		52	35	31	2700
1	KDIS-138	G 3/8		52	35	31	3600
2	KDIS-238	G 3/8		63	43	38	7250
2	KDIS-212	G 1/2		63	43	38	7250
4	KDIS-434	G 3/4		85	59	51	18000
4	KDIS-41	G 1		85	59	51	18000

NON-RETURN-VALVE



0	KREV-014	G 1/4		43	27	39	800
1	KREV-114	G 1/4		52	34	33	1250
1	KREV-138	G 3/8		52	34	33	1250
2	KREV-238	G 3/8		63	43	38	4500
2	KREV-212	G 1/2		63	43	38	4500
4	KREV-434	G 3/4		85	58	54	16000
4	KREV-41	G 1		85	58	54	16000

CONDENSATE DRAIN



2	KA-212 AM	G 1/2					
---	-----------	-------	--	--	--	--	--

¹⁾ p₁ = 10 bar; p₂ = 6 bar and pressure drop Δp=1bar ²⁾ P/E-transformer mountable

ACCESSORIES SERIES 0, 1, 2, 4

Spring BG0



Type C.11-78 0,2 – 4 bar
 Type C.11-86 0,5 – 8 bar
 Type C.11-83 0,5 – 10 bar

Spring BG1



Type FED.1-7000,1 – 1 bar
 Type FED.1-7010,1 – 2 bar
 Type FED.1-7020,2 – 4 bar
 Type FED.1-7030,5 – 8 bar
 Type FED.1-7040,5 – 10 bar
 Type FED.1-7050,5 – 16 bar

Spring BG2



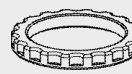
Type FED.2-7000,1 – 1 bar
 Type FED.2-7010,1 – 2 bar
 Type FED.2-7020,2 – 4 bar
 Type FED.2-7030,5 – 8 bar
 Type FED.2-7040,5 – 10 bar
 Type FED.2-7050,5 – 16 bar

Spring BG4



Type FED.4-7000,1 – 1 bar
 Type FED.4-7010,1 – 2 bar
 Type FED.4-7020,2 – 4 bar
 Type FED.4-7030,5 – 8 bar
 Type FED.4-7040,5 – 10 bar
 Type FED.4-7050,5 – 16 bar

Control panel nut



BG0: C.00-34
 BG1: SM-1
 BG2: SM-2
 BG4: C.33-42

**Mounting bracket
 for control panel installation**



BG0: KBW.0-1227
 BG1: KBW.1-1227
 BG2: KBW.2-1227

Mounting bracket



BG0: KBW.0-1225
 BG1: KBW.1-1225
 BG2: KBW.2-1225
 BG4: KBW.4-1225

**Coupling kit
 wall mounting**



BG0: KKOP.0 W
 BG1: KKOP.1 W
 BG2: KKOP.2 W
 BG4: KKOP.4 W

Coupling kit



BG0: KKOP.0
 BG1: KKOP.1
 BG2: KKOP.2
 BG4: KKOP.4

**Metal bowl
 with level indicator and drain**



BG0: C.00 M HA3
 (without level indicator)
 BG1: BE.1 H HA4
 BG2: BE.2 H HA4
 BG4: BE.4 H HA3

**Metal bowl
 with level indicator, closed**



BG0: L.00 M
 (without level indicator)
 BG1: BE.1 H C
 BG2: BE.2 H C
 BG4: BE.4 H C

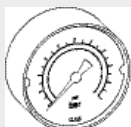
**Metal bowl
 with level indicator and
 filling valve**



BG1: BE.1 H LUB
 BG2: BE.2 H LUB
 BG4: BE.4 H LUB

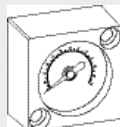
ACCESSORIES

Pressure gauge



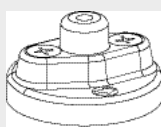
Type G 50.2,5 R
 Type G 50.4 R
 Type G 50.6 R
 Type G 50.10 R
 Type G 50.16 R
 Type G 50.25 R
 Type G 63.6 R
 Type G 63.10 R
 Type G 63.16 R
 Type G 63.25 R

**Pressure gauge BG0
 square**



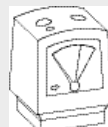
Type GC 27.12
 Type GC 27.6

Differential pressure



Type DA.1

**Differential pressure
 gauge**



Type DM 2

P/E-Wandler ¹⁾



Type PE.10

**Electric pilot valve
 24 V=, 24 V/50 Hz;
 115 V/50 Hz; 230 V/50 Hz**



Type ZG. 0-4
 Type ZG. 0-5
 Type ZG. 0-6
 Type ZG. 0-7

Lock

Closure E11
 Closure G1663



Type VH.31
 Type VH.32

Auto drain



Type AM 10
 Type AM 10 NC

Multi-Fix series and Standard series – a selection from the full range.

Equipment	Multi-Fix series Connection size	Standard series Connection size
Filter	G 1/8 to G 1	G 1/8 to G 3
Prefilter 0,3 µm	G 1/8 to G 1	/
Finefilter 0,01 µm	G 1/8 to G 1	/
Activated-carbon filter	G 1/8 to G 1	/
Vacuumfilter	G 1/2	/
Pressure regulator	G 1/8 to G 1	G 1/8 to G 1/2
Pressure regulator pilot-operated	/	G 3/4 to G 2
Pressure regulator pneumatic pilot-operated	G 1/4 to G 1	G 1/2 to G 2
Pressure regulator with continuous pressure supply	G 1/4 to G 1/2	/
Pressure regulator with gauge inside the setting knob	G 1/4 to G 3/8	/
Pressure regulator with continuous P and gauge inside the setting knob	G 1/4 to G 3/8	/
Pressure regulator for water	/	G 1/8 to G 1/4
Pressure regulator for oxygen and neutral gases	/	G 1/8 to G 1
Pressure regulator for brake fluid	/	G 1/8 to G 1/4
Pressure regulator made of stainless steel	/	G 1/4
Precision pressure regulator	G 1/4 to G 1/2	G 1/4 to G 1/2
Filter regulator for compressed air and neutral gases	G 1/8 to G 1	G 1/8 to G 1
Filter regulator for water	/	G 1/4
Precision filter regulator	/	G 1/4, G 1/4 NPT
Lubricator	G 1/4 to G 1	G 1/8 to G 2
Micro-dosing lubricator	G 1/8 to G 1/2	/
Service 3 unit	G 1/8 to G 1	G 1/4 to G 2
Service 2 unit	G 1/8 to G 1	G 1/8 to G 1
3/2 directional-control valve	G 1/4 to G 1	/
Starting valve	G 1/4 to G 1	/
Ball valve	G 1/8 to G 1	/
Non-return valve	G 1/4 to G 1	/
Distributor block	G 1/4 to G 1	/
The individual devices can be easily connected in any order using conical brackets.		

Special devices	Connection size	Connection size
Diaphragm-type dryer	G 1/4 to G 1/2	/
Regulator plate ISO.1	/	/
Central-filter-lubricator unit	G 1 and G 2	G 1 and G 2