

Distributors of the Futura series size 0-2

Installing of the pressure sensor

1. Insert the shaped seal **(a)** into the sealing ring **(b)**.

Attention: Revision of shaped seal at size 1 and size 2 at Q4/2015.

2. Place the pressure sensor **(c)** on the flange and screw it down firmly ($\sim 2,5$ Nm).

Attention!

Revision of shaped seal **(a)** at Q4/2015.



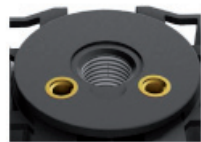
shaped seal
old version



shaped seal
current version

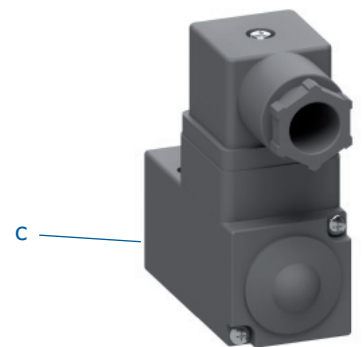
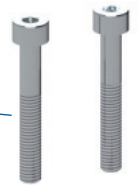


mounting of the
pressure sensor by
threaded plate



mounting of the pres-
sure sensor by sonic-
lock socket plate

$M_D = 2,5 + 0,5$ Nm



c

1.



a

b



2.



Distributors of the Futura series size 4

Installing of the pressure sensor

1. Insert the o-ring (**d**) 5x1,5 into the sealing ring (**e**).
2. Place the pressure sensor (**f**) on the flange and screw it down firmly ($\sim 2,5$ Nm).

